

Pendant

INSTRUCTION MANUAL

Safety Warnings

- This product is only suitable for connection to a 240V~50Hz supply in accordance with current IEE wiring regulations. It should be installed in accordance with local building regulations and is for domestic indoor use only. It is not suitable for a bathroom location.
- Before installing your light fitting always switch off the mains supply and remove the appropriate fuse or switch off the appropriate circuit breaker before commencing installation.
- This is a Class II, Double Insulated product This Fitting does not require an Earth, and Live or Neutral **must not** be connected to Earth. The terminal blocks are supplied according to requirements of the fitting.
- Never fit bulbs of a higher wattage than those specified on the label, as these may cause overheating and damage the fitting.
- This product contains delicate parts – be careful during handling and maintenance to avoid breakage.
- If you are in any doubt about your competence please consult a qualified electrician.
- If any modification is made it will invalidate the warranty and may render the product unsafe.

Care Information

Allow 10 minutes to cool before replacing, adjusting or cleaning.
Clean with a dry cloth only. Do not use liquid or abrasive cleaners on this product.

Assembly/ User Instructions

Before you start

Please read these instructions carefully before fitting and retain for reference. Check the packaging and make sure that you have all the required parts. Follow each assembly step in order to prevent incorrect assembly. Ensure that the product is fully assembled as illustrated before use. Fitting this product will be easier with the help of an assistant. Due to the complex nature of this product, please allow 30 minutes for assembly.

The Light pack contains:

Light fitting, with terminal connection block(s).
Fixing pack.
5x metal rods
10x hex screws
50x 9-bead drop X
1x 8-bead drop Y
20x glass rod A
20x glass rod B
1x spare glass rod

The following tools may be required:

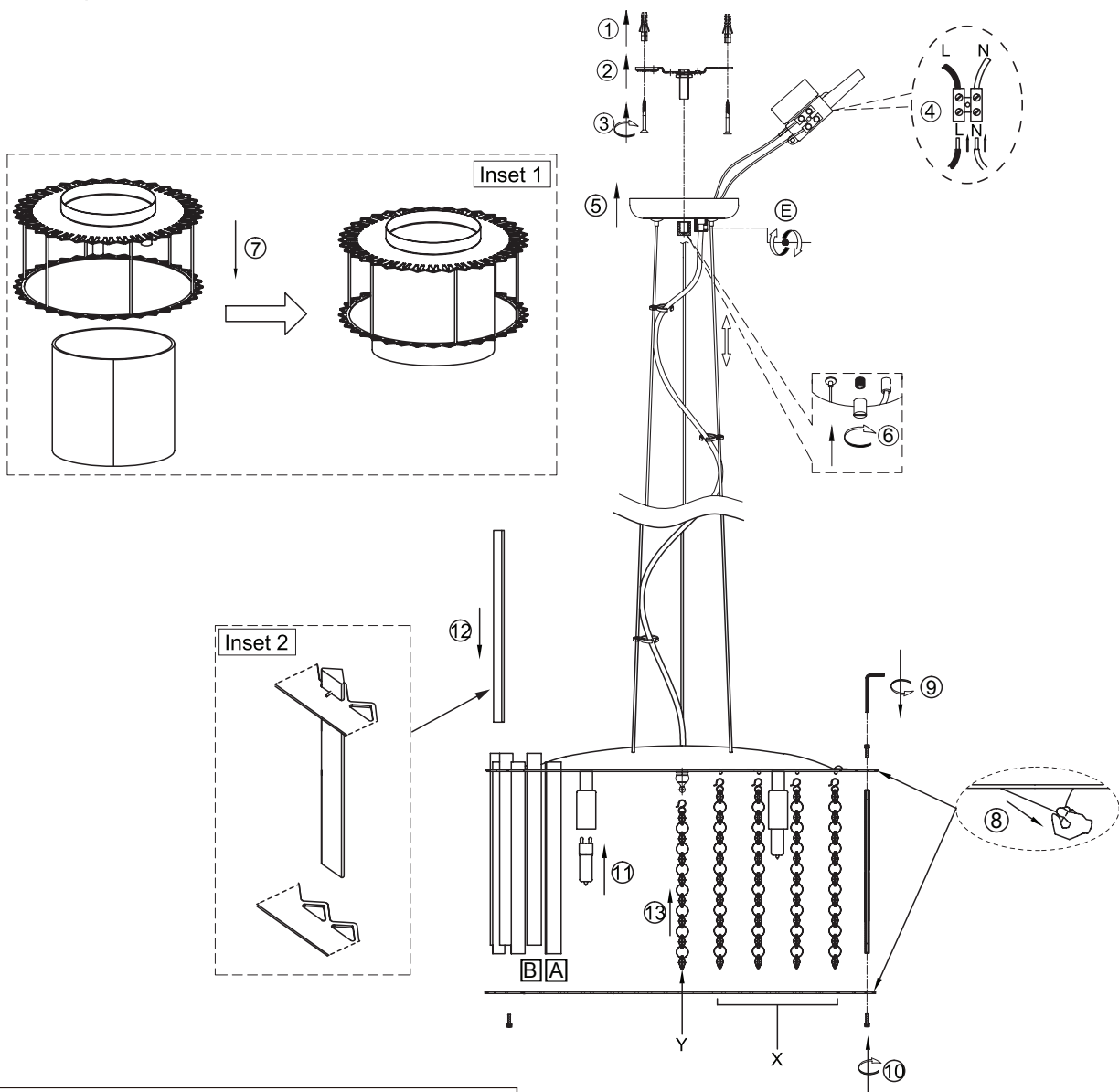
Selection of cross and flat head screwdrivers.
Electric drill and assorted drill bits.
Wire strippers.
Electrical insulation tape.

These assembly diagrams are intended as a guide – if in doubt consult a qualified electrician.

1. Decide on the position of the light fitting, or remove existing light fitting. Note the position of the electrical connections. Ensure there is a solid mounting surface, preferably a wooden joist or joist bridge to support the weight of the light fitting.
2. If you want to reduce the overall length of the fitting it is essential that this is done before the fitting is mounted to the ceiling, or connected to the mains supply. Push the clutch up to release the support wire, pull it through the ceiling cup until the desired length is reached and release the clutch ensuring the wire is gripped. Loosen the grub screw 'E', then feed the cable up through the plastic bush. Form a loop above the ceiling cup, and retighten the grub screw. The cable must now be shortened and the excess cable cut and re-connected to the terminal block.
NOTE: The electric cable must always be longer than the support wire to prevent strain being placed on the cable. If you are unsure about your ability to do this, we recommend you contact a qualified electrician.
3. Remove the protective films (8), then fit the lower hoop to the main light fitting by using the hex screws to fit the metal rods (9 & 10).

Assembly/ User Instructions Continued

4. See inset diagram 1: Using the strip of cardboard provided, roll into a tube and use to support the fitting (7) while affixing the beaded drops (13) per the diagram - 8-beaded drop 'D' in the centre, and 9-beaded drop 'C' on the rest of the fitting.
5. See inset diagram 2: Keeping the cardboard tube in the fitting, fit the glass rods, A and B, in an alternating pattern (12). To do this, simply slot the rod into the upper frame and lower until the pin is resting on the frame, and the rod is located in the lower frame.
6. Remove the finial (6) and retain for re-use. Use the fixing bracket (2) as a template to mark the screw holes. Make the screw holes and secure to the ceiling with appropriate screw fixings (1&3).
7. With the help of an assistant, support your fitting and connect the house wiring to the terminal block (4) – see expanded wiring details below. **NOTE: This is a Class II fitting and must NOT be earthed.**
8. Secure the ceiling cup over the bracket by using the finial (6) removed in Point 6.
9. Fit the bulbs (11), being careful not to touch them with your bare hands - use a cloth or gloves. **NOTE: Never fit bulbs of a higher wattage than those specified on the label (as these may cause overheating and damage the fitting).**
10. Turn on the power and test.



- (EN) Scan QR code for multi-language
- (FR) Scannez le code QR pour plusieurs langues
- (ES) Escanee el código QR para varios idiomas
- (PL) Zeskanuj kod QR dla wielu języków
- (DE) Scannen Sie den QR-Code nach mehreren Sprachen
- (IT) Scansiona il codice QR per multilingua